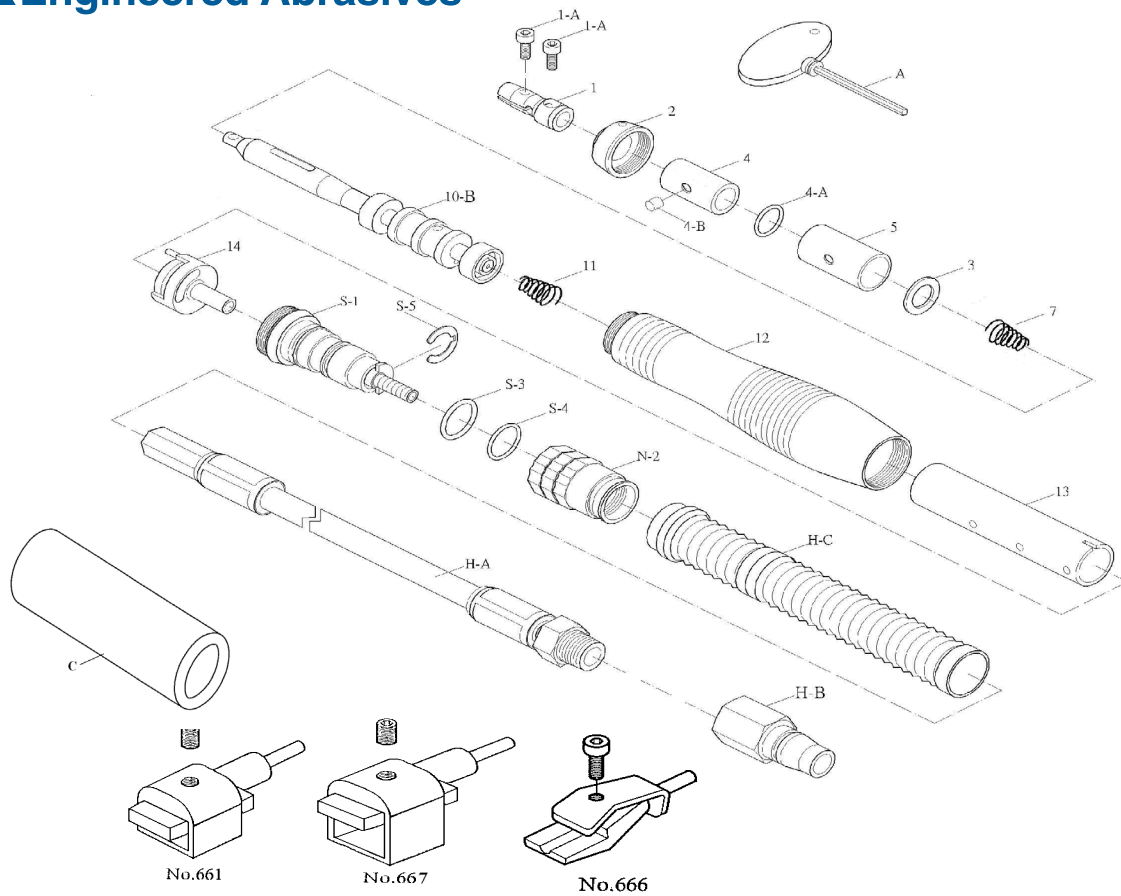


# U-LAP 120/300 Repair Parts List



No.	Item	Description	List Price	No.	Item	Description	List Price
A	50053	HEX WRENCH	\$ 2.10	12	50335	BODY	\$ 61.25
1-A	50331	SET SCREW (2 PK)	\$ 2.10	14	50336	AIR INLET BODY	\$ 16.25
2	50332	FRONT COVER	\$ 19.00	S-1	50337	SWITCH BODY	\$ 11.75
3	50333	WASHER	\$ 2.00	S-5	50338	C-RING	\$ 1.45
4	50323	BUSHING	\$ 11.60	S-3	50339	O-RING	\$ 1.00
4-A	50324	O - RING	\$ 1.00	S-4	50340	O-RING	\$ 1.00
4-B	50325	FIXED BALL	\$ 7.00	N-2	50341	ON - OFF SWITCH	\$ 11.75
5	50326	SLIDING BUSH	\$ 11.25	H-C	50342	MUFFLER PIPE	\$ 4.90
7	50334	FRONT SPRING	\$ 4.45	H-B	50343	QUICK JOINT	\$ 3.25
10-B/13	50328	MAIN SHAFT SET & CYLINDER PIPE	\$ 144.65	H-A	50000	AIR HOSE SET	\$ 12.40
11	50345	BACK SPRING	\$ 4.45				

No.	Item	Accessories	List Price
C	50056	FOAM SLEEVE	\$ 1.55
661	029970	UR144-1 HOLDER	\$ 14.58
667	029968	UR144-3 HOLDER	\$ 14.58
666	50049	ADJUSTABLE HOLDER	\$ 16.25